

## Accessories: Fiberoptic BFO D22-LA-QB-PAK-05

### Common Data

Version  
Usable with  
Ambient temperature  
Sensing range

Fiber optic straight  
with BOS 74K..  
-40°C...+70°C  
<=70mm

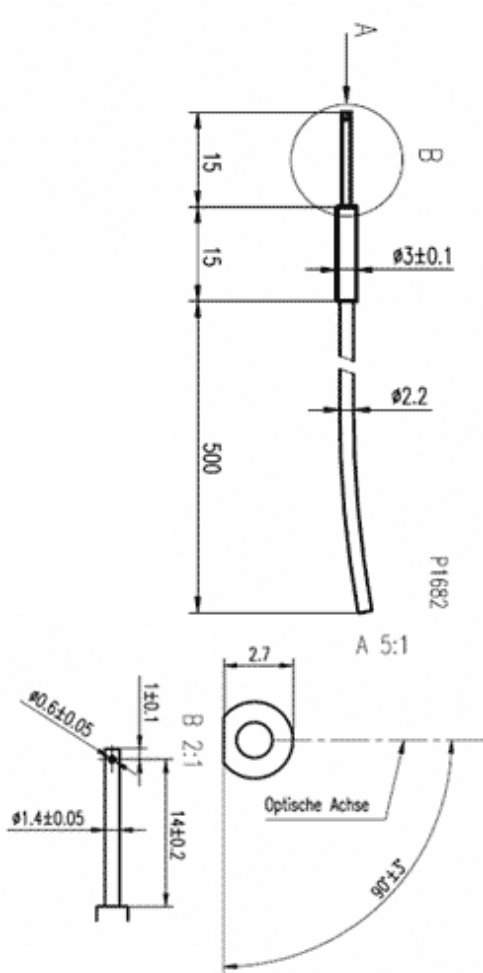
### Mechanical Data

Measurements WxHxD or Dia x D  
Material

M4 x 15  
brass, PVC, PMMA, stainless  
steel

Mounting  
Max. pull force on cable

with thread M4  
< 6



Datasheet number::

Definitions see general catalog.  
If not otherwise noted, ratings according to  
IEC 60947-5-2 (DIN EN60947-5-2)

Balluff GmbH  
Schurwaldstrasse 9  
73765 Neuhausen a.d.F.  
Phone (07158) 173-0 Fax (07158) 5010

Datenblatt by CD-ROM - 04/2007

**BALLUFF**  
sensors worldwide